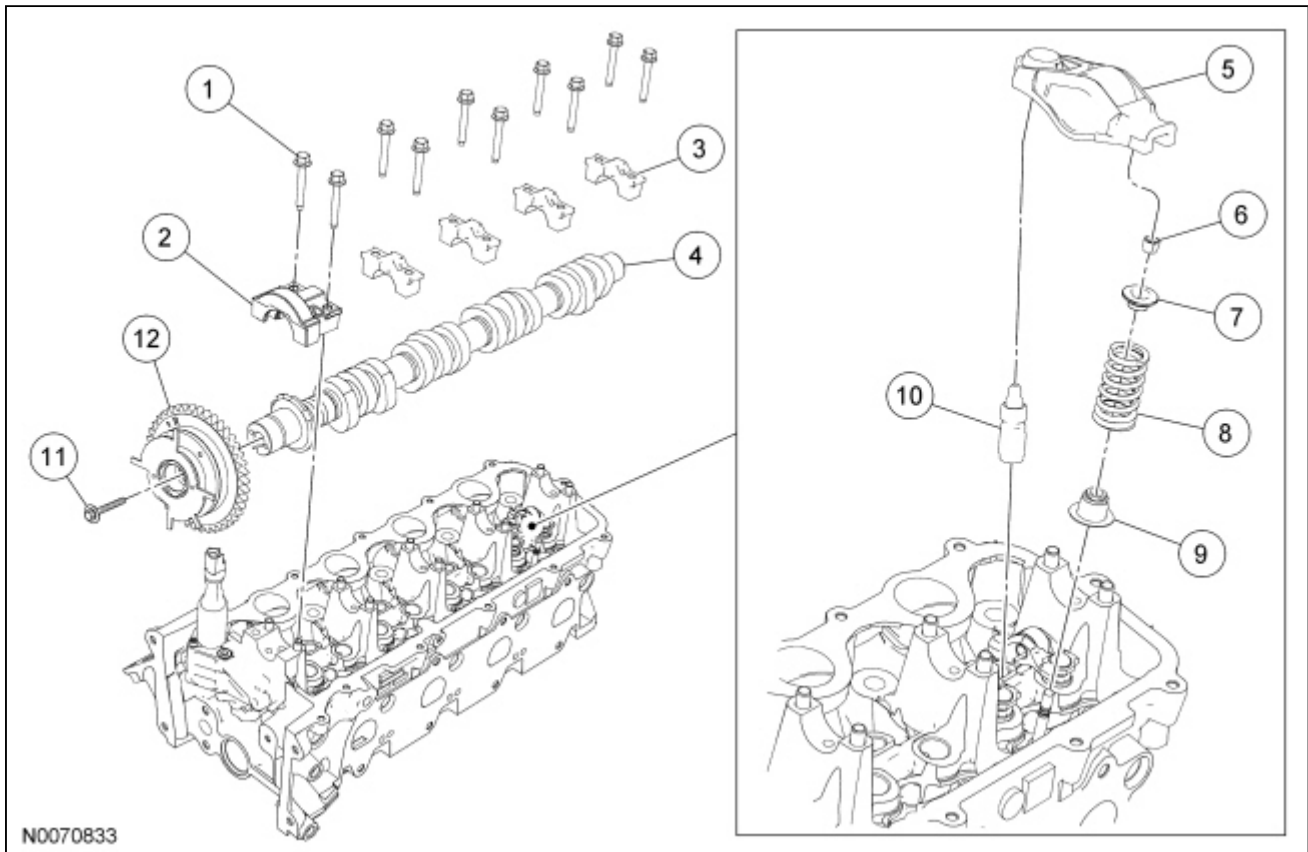


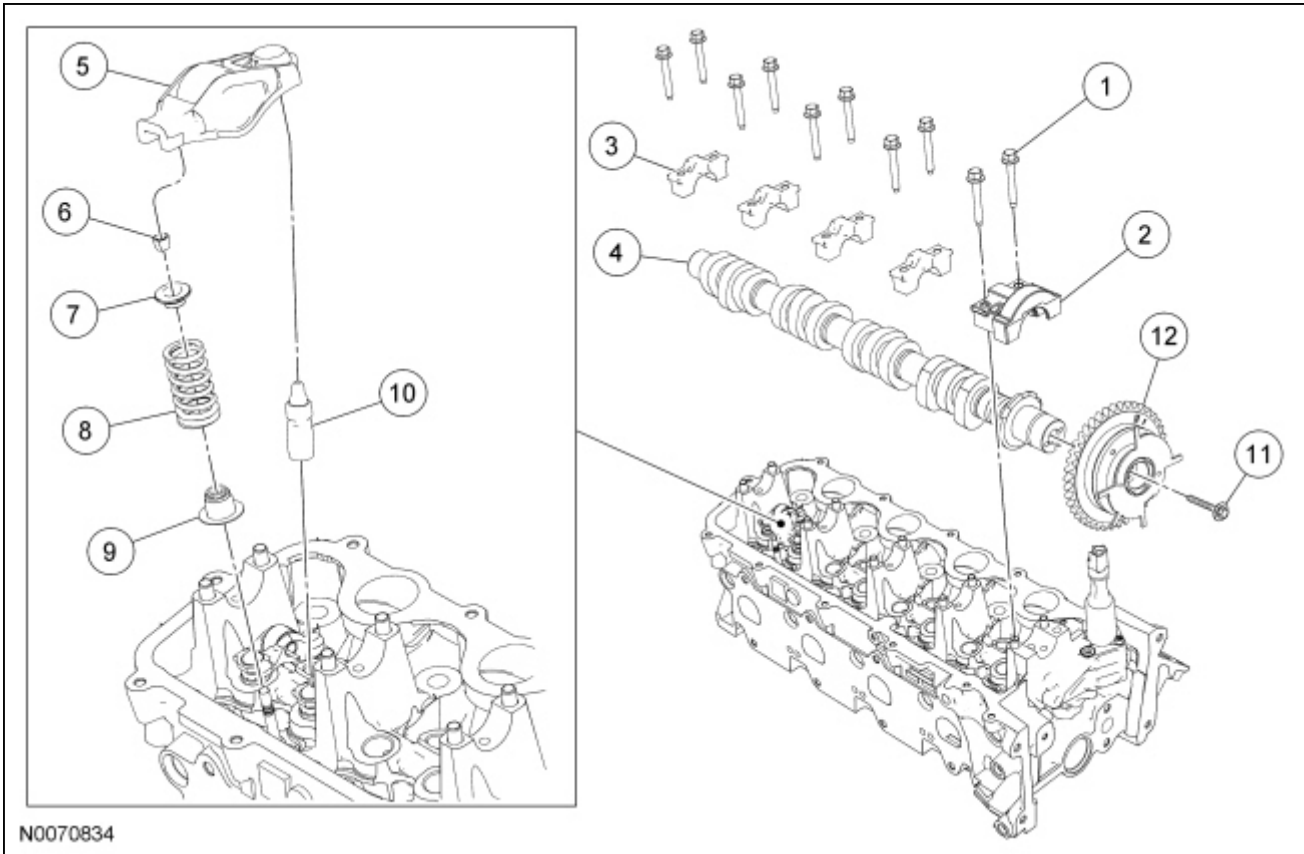
Valve Train Components — Exploded View

LH Side



| Item | Part Number | Description |
|------|-------------|---|
| 1 | N807834 | Camshaft bearing cap bolt (10 required) |
| 2 | 6B284 | Camshaft front bearing cap |
| 3 | 6B280 | Camshaft bearing cap (4 required) |
| 4 | 6C255 | Camshaft |
| 5 | 6529 | Camshaft roller follower (12 required) |
| 6 | 6518 | Valve spring retainer key (24 required) |
| 7 | 6514 | Valve spring retainer (12 required) |
| 8 | 6513 | Valve spring (12 required) |
| 9 | 6A517 | Valve seal (12 required) |
| 10 | 6C501 | Hydraulic lash adjuster (12 required) |
| 11 | 6279 | Camshaft phaser and sprocket bolt |
| 12 | 6C524 | Camshaft phaser and sprocket |

RH Side



N0070834

| Item | Part Number | Description |
|------|-------------|---|
| 1 | N807834 | Camshaft bearing cap bolt (10 required) |
| 2 | 6B284 | Camshaft front bearing cap |
| 3 | 6B280 | Camshaft bearing cap (4 required) |
| 4 | 6251 | Camshaft |
| 5 | 6529 | Camshaft roller follower (12 required) |
| 6 | 6518 | Valve spring retainer key (24 required) |
| 7 | 6514 | Valve spring retainer (12 required) |
| 8 | 6513 | Valve spring (12 required) |
| 9 | 6A517 | Valve seal (12 required) |
| 10 | 6C501 | Hydraulic lash adjuster (12 required) |
| 11 | 6279 | Camshaft phaser and sprocket bolt |
| 12 | 6C524 | Camshaft phaser and sprocket |

1. For additional information, refer to the procedures in this section.

